



SONODEC 250

ACOUSTICALLY AND THERMAL INSULATED DUCTING

The **SONODEC 250** series consists of a perforated aluminum laminate inner duct thermally and acoustically insulated with glass wool and is provided with an aluminium laminated outer jacket. A barrier between the duct and the glass wool prevents the diffusion of glass wool particles.

APPLICATION

- Air-conditioning systems
- Air supply systems
- Preventing condensation in air ventilation systems
- Decreasing of machine noises


SPECIFICATIONS

Article code:	DSX{Ø}
Temperature range:	
Inner duct:	-30 °C to 250 °C
Outer jacket:	-30 °C to 140 °C
Operating pressure:	up to +3000 Pa
Operating air velocity:	max. 30 m/s
Min. bending radius:	0.54 x Ø + 25mm
Standard diameter range:	65 – 635 mm
Standard length:	10 mtr

CONSTRUCTION

Inner duct:	alu/poly laminate
Barrier:	closed film
Glass wool blanket:	25mm, 16kg/m ³
Outer jacket:	alu/poly laminate
R-value glass wool:	0.65 m ² K/W (ASTM C177-76)
Appearance:	aluminium

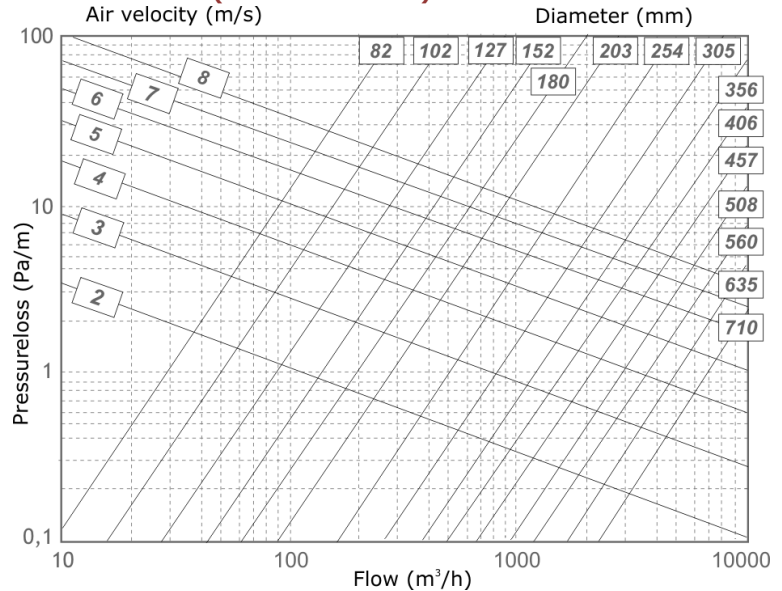
CLASSIFICATIONS

EU (EN 13501-1):	B-s1,d0
UK (BS476):	Part 6, 7 and 20
NL(NEN 6065/6066)	1
FR (NF):	M0/M1
Marine certified MED	

The **SONODEC 250** fulfills all the requirements and are classified as specified within EN 13180:
Ventilation for buildings – Ductwork – Dimensions and mechanical requirements for flexible ducts.

The **SONODEC 250** is also available, on request, with a 50 mm glass wool layer, the article number is: DSX50{Ø}
R-value glass wool: 1.3 (50 mm) m² K/W (ASTM C177-76).

PRESSURE LOSS (STRAIGHT DUCT)



LIABILITY:

The information contained in this brochure was current on the publication date. DEC INTERNATIONAL reserves the right to make changes in details at any time without prior notice. In order to avoid misunderstandings, any interested party is advised to contact DEC INTERNATIONAL checking for any changes in materials and/or information after this brochure was published.

PLEASE NOTICE:

The consultant is responsible for the actual installation and mounting of the product. The mentioned values with respect to temperatures are not appropriate to be used to determine the physical properties. These properties are also dependent on humidity and the temperature of the air inside and outside of the H.V.A.C. system.

TRADEMARKS:

SONODEC, the DEC logo and DEC International are trademarks, or registered trademarks of Dutch Environment Corporation BV in the Netherlands and/or other countries.

RESTRICTIONS:

The SONODEC ducts are not suitable for discharging combustion products from open fireplaces and oil-fired boilers. Neither are the SONODEC ducts suitable for transporting air with a high concentration of acid and base.



SONODEC 250

ACOUSTICALLY AND THERMAL INSULATED DUCTING

SOUND ATTENUATION

SONODEC 250		(Test report nr. AB323-2 Peutz bv - The Netherlands)					
D _i (mm)	L (mtr)	Attenuation, dB - Mid-frequency, Hz					
		125	250	500	1000	2000	4000
82	1	16	25	34	38	30	20
	2	22	37	48	54	46	30
	3	30	43	41	43	55	43
102	1	11	25	31	36	23	15
	2	17	31	51	50	38	26
	3	20	44	51	52	51	33
127	1	11	19	23	27	25	19
	2	17	31	43	43	35	22
	3	21	40	45	48	47	27
160	1	15	26	22	27	18	13
	2	22	38	35	39	29	20
	3	33	43	39	43	39	27
203	1	6	13	15	18	11	10
	2	15	31	32	38	21	18
	3	16	36	40	42	28	24
254	1	9	11	12	10	7	11
	2	21	24	24	22	13	15
	3	29	33	31	30	19	24
315	1	8	8	8	7	6	8
	2	16	15	14	13	9	13
	3	23	23	21	19	12	17
457	1	8	8	6	6	5	7
	2	18	15	14	12	8	10
	3	24	21	20	18	11	15
508	1	7	8	7	7	6	7
	2	-	-	-	-	-	-
	3	-	-	-	-	-	-

LIABILITY:

The information contained in this brochure was current on the publication date. DEC INTERNATIONAL reserves the right to make changes in details at any time without prior notice. In order to avoid misunderstandings, any interested party is advised to contact DEC INTERNATIONAL checking for any changes in materials and/or information after this brochure was published.

PLEASE NOTICE:

The consultant is responsible for the actual installation and mounting of the product. The mentioned values with respect to temperatures are not appropriate to be used to determine the physical properties. These properties are also dependent on humidity and the temperature of the air inside and outside of the H.V.A.C. system.

TRADEMARKS:

SONODEC, the DEC logo and DEC International are trademarks, or registered trademarks of Dutch Environment Corporation BV in the Netherlands and/or other countries.

RESTRICTIONS:

The SONODEC ducts are not suitable for discharging combustion products from open fireplaces and oil-fired boilers. Neither are the SONODEC ducts suitable for transporting air with a high concentration of acid and base.