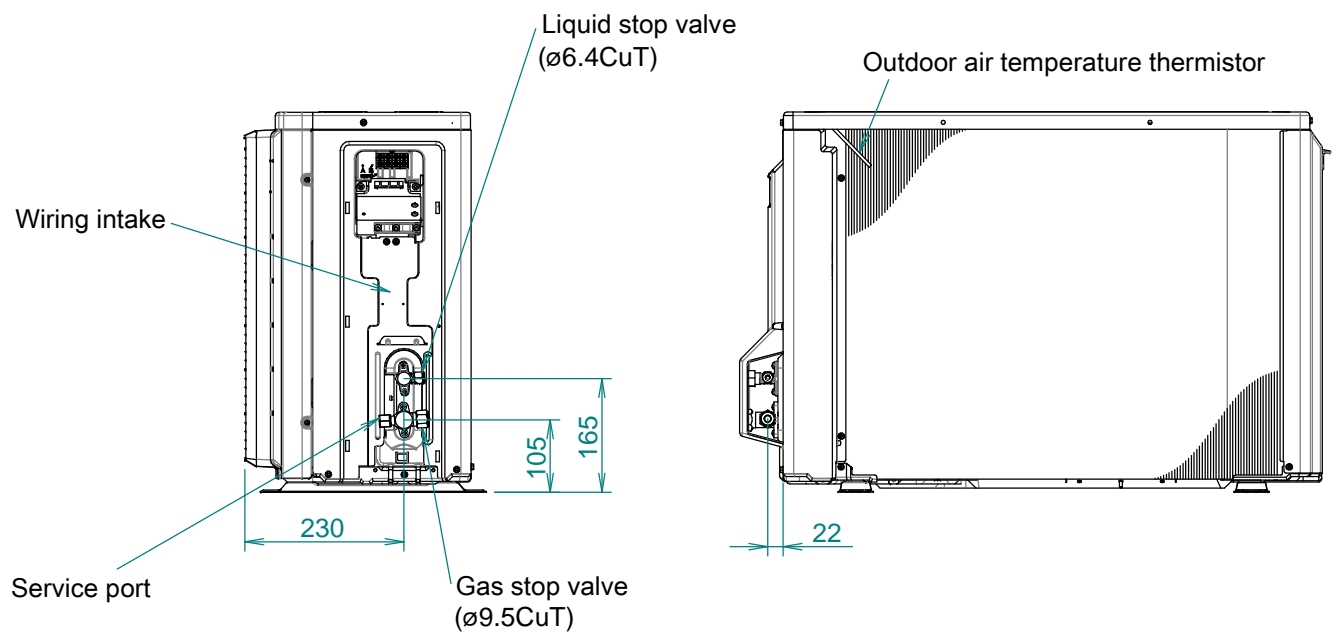
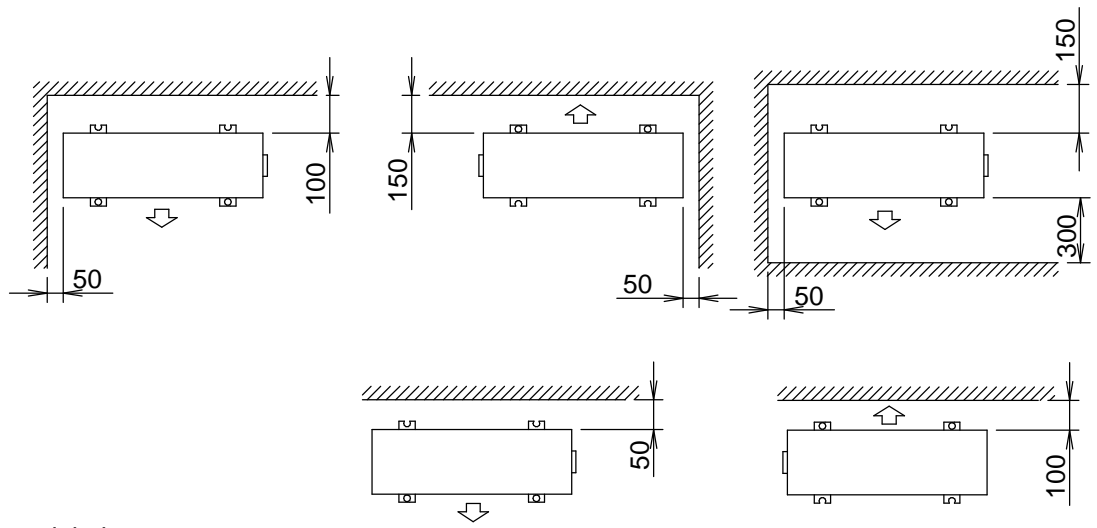


**Minimum space for air passage**  
Wall height on air outlet side < 1200 mm



In case of removing the stop valve cover.